



REDLINE® C 200/2

Two-stage cylinder pressure regulator

Description C 200/2 is a two-stage diaphragm pressure regulator, especially suitable for non-corrosive gases up to 6.0 purity (99.9999%) as well as gas mixtures with a low concentration of corrosive components.

Two stage regulators are preferred when a very stable secondary pressure is necessary and the primary pressure varies. C 200/2 can be plain or equipped with a shut-off valve (type A), a metering valve (type B) or equipped for purging of the high-pressure side (type P). It can also be equipped with inert gas purge valve (TP), with triple purge block (EP) or with downstream purge (DP).

Product name	Material	bar	psi	Art. Nr
C 200/2	Chrome-plated brass	0.2 – 1	3 – 15	3182
C 200/2	Chrome-plated brass	0.2 – 3	3 – 44	5481
C 200/2	Chrome-plated brass	0.5 – 6	7 – 87	4460
C 200/2	Chrome-plated brass	1 – 10	15 – 145	4461
C 200/2	Chrome-plated brass	1 – 14	15 – 203	7808
C 200/2	Stainless steel	0.2 – 1	3 – 15	3186
C 200/2	Stainless steel	0.2 – 3	3 – 44	5485
C 200/2	Stainless steel	0.5 – 6	7 – 87	4463
C 200/2	Stainless steel	1 – 10	15 – 145	4464
C 200/2 TP	Chrome-plated brass	0.2 – 3	3 – 44	6320
C 200/2 TP	Chrome-plated brass	0.5 – 6	7 – 87	6321
C 200/2 TP	Chrome-plated brass	0.5 – 10	7 – 145	6322
C 200/2 TP	Stainless steel	0.2 – 3	3 – 44	6323
C 200/2 TP	Stainless steel	0.5 – 6	7 – 87	6324
C 200/2 TP	Stainless steel	0.5 – 10	7 – 145	6325
C 200/2 EP	Stainless steel	0.2 – 3	3 – 44	6066
C 200/2 EP	Stainless steel	0.5 – 6	7 – 87	6048
C 200/2 EP	Stainless steel	1 – 10	15 – 145	6045
C 200/2 EP	Stainless steel	1 – 14	15 – 203	6042
C 200/2 A	Chrome-plated brass	0.2 – 1	3 – 15	3183
C 200/2 A	Chrome-plated brass	0.2 – 3	3 – 44	5482
C 200/2 A	Chrome-plated brass	0.5 – 6	7 – 87	3125
C 200/2 A	Chrome-plated brass	1 – 10	15 – 145	3126
C 200/2 A	Chrome-plated brass	1 – 14	15 – 203	7809
C 200/2 A	Stainless steel	0.2 – 1	3 – 15	3188
C 200/2 A	Stainless steel	0.2 – 3	3 – 44	5486
C 200/2 A	Stainless steel	0.5 – 6	7 – 87	3134
C 200/2 A	Stainless steel	1 – 10	15 – 145	3135
C 200/2 A TP	Chrome-plated brass	0.2 – 3	3 – 44	6326
C 200/2 A TP	Chrome-plated brass	0.5 – 6	7 – 87	6327
C 200/2 A TP	Chrome-plated brass	0.5 – 10	7 – 145	6328
C 200/2 A TP	Stainless steel	0.2 – 3	3 – 44	6329
C 200/2 A TP	Stainless steel	0.5 – 6	7 – 87	6330
C 200/2 A TP	Stainless steel	0.5 – 10	7 – 145	6331
C 200/2 A EP	Stainless steel	0.2 – 3	3 – 44	6067
C 200/2 A EP	Stainless steel	0.5 – 6	7 – 87	6049
C 200/2 A EP	Stainless steel	1 – 10	15 – 145	6046
C 200/2 A EP	Stainless steel	1 – 14	15 – 203	6043



Product name	Material	bar	psi	Art. Nr
C 200/2 B	Chrome-plated brass	0.2 - 1	3 - 15	3184
C 200/2 B	Chrome-plated brass	0.2 - 3	3 - 44	5483
C 200/2 B	Chrome-plated brass	0.5 - 6	7 - 87	3128
C 200/2 B	Chrome-plated brass	1 - 10	15 - 145	3129
C 200/2 B	Chrome-plated brass	1 - 14	15 - 203	7810
C 200/2 B	Stainless steel	0.2 - 1	3 - 15	3196
C 200/2 B	Stainless steel	0.2 - 3	3 - 44	5487
C 200/2 B	Stainless steel	0.5 - 6	7 - 87	3137
C 200/2 B	Stainless steel	1 - 10	15 - 145	3138
C 200/2 B TP	Chrome-plated brass	0.2 - 3	3 - 44	6332
C 200/2 B TP	Chrome-plated brass	0.5 - 6	7 - 87	6333
C 200/2 B TP	Chrome-plated brass	0.5 - 10	7 - 145	6334
C 200/2 B TP	Stainless steel	0.2 - 3	3 - 44	6335
C 200/2 B TP	Stainless steel	0.5 - 6	7 - 87	6336
C 200/2 B TP	Stainless steel	0.5 - 10	7 - 145	6337
C 200/2 B EP	Stainless steel	0.2 - 3	3 - 44	6068
C 200/2 B EP	Stainless steel	0.5 - 6	7 - 87	6050
C 200/2 B EP	Stainless steel	1 - 10	15 - 145	6047
C 200/2 B EP	Stainless steel	1 - 14	15 - 203	6044
C 200/2 P	Chrome-plated brass	0.2 - 1	3 - 15	3185
C 200/2 P	Chrome-plated brass	0.2 - 3	3 - 44	5484
C 200/2 P	Chrome-plated brass	0.5 - 6	7 - 87	3131
C 200/2 P	Chrome-plated brass	1 - 10	15 - 145	3132
C 200/2 P	Chrome-plated brass	1 - 14	15 - 203	7811
C 200/2 P	Stainless steel	0.2 - 1	3 - 15	3197
C 200/2 P	Stainless steel	0.2 - 3	3 - 44	5488
C 200/2 P	Stainless steel	0.5 - 6	7 - 87	3140
C 200/2 P	Stainless steel	1 - 10	15 - 145	3141
C 200/2 DP	Chrome-plated brass	0.2 - 3	3 - 44	6038
C 200/2 DP	Chrome-plated brass	0.5 - 6	7 - 87	6039
C 200/2 DP	Chrome-plated brass	1 - 10	15 - 145	6040
C 200/2 DP	Chrome-plated brass	1 - 14	15 - 203	6041
C 200/2 DP	Stainless steel	0.2 - 3	3 - 44	6034
C 200/2 DP	Stainless steel	0.5 - 6	7 - 87	6035
C 200/2 DP	Stainless steel	1 - 10	15 - 145	6036
C 200/2 DP	Stainless steel	1 - 14	15 - 203	6037

Delivery and ordering information

Cylinder pressure regulator with cylinder connection (manual connection) according to DIN 477 on the high-pressure side and compression fitting 6 mm on the service gas outlet. In addition to the article number, please specify the type of gas. Other configurations on request.

Application

Suitable for all applications in analysis, as well as research and development, where high demands in gas purity, accuracy, reliability are required. The pressure regulator must not be used as a shut-off device. The version with a shut-off valve allows the gas flow to be shut off / opened while maintaining the pressure reducer setting. The design with a needle valve allows additional metering of the gas flow. The design with a flushing device allows the high-pressure side to be flushed with its own gas.

Technical Data

	bar	psi
Maximum primary pressure	230	3300
Outlet pressure range	0.2 – 1 0.2 – 3 0.5 – 6 1 – 10 1 – 14	3 – 15 3 – 44 7 – 87 15 – 145 15 – 203
Outlet gauge range	-1 – 1.5 -1 – 5 -1 – 10 -1 – 18 -1 – 25	-15 – 22 -15 – 73 -15 – 145 -15 – 261 -15 – 363
Gas purity	≤ 6.0 (99.9999%)	
Leak rate	≤10 ⁻⁹ mbar l/s He to the outside ≤5x10 ⁻⁶ mbar l/s He in the seat	
Connections		
- Pressure reducer body	6 x NPT 1/4" f	
- cylinder pressure regulator		
- Service gas outlet	Compression fitting 6 mm	
- High pressure inlet bottle	Connection according to DIN 477	
- Relief valve outlet	NPT 1/4" f	
Stability	Constant outlet pressure when the inlet pressure drops from 300 bar to 0 bar	
Flow coefficient	Cv = 0.06	
Materials		
- Casing	Cr-plated brass	stainless steel
- Housing seal	PWDF	PCTFE
- Membrane	Hastelloy®	
- Seat seal	FKM / EPDM	(according to gas type)
Operating temperature	-20°C ... +60°C	-4°F ... +140°F
Particle filter	Inlet 10 µm	Outlet 100 µm
Valves	Diaphragm shut-off valve V 200 (Type A, P) Diaphragm control valve V50 (Type B)	
Cylinder connection	DIN 477 (other connections on request)	
Weight	3.33 kg max.	7.34 lb max.

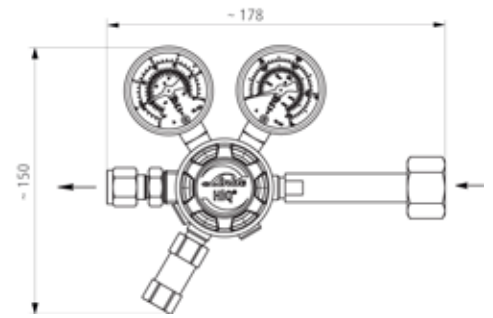
Other accessories

Gas type-specific manual connection, brass or stainless-steel compression fittings from 3 to 12 mm or 1/8" to 1/2" for service gas and relief valve outlet, contact pressure gauge.

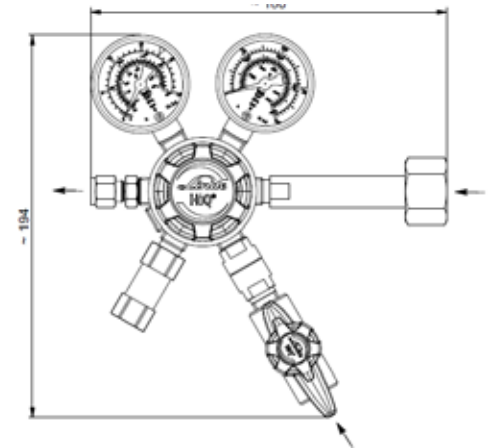
Quality Assurance

The cylinder pressure regulator C 200/2 is manufactured in accordance with the following international standards: ISO 9001, ISO 2503, EN ISO 5171, EN ISO 7291 (including oxygen burnout test for brass-chrome-plated fittings). Every step, from design to final test, is subject to one Quality Management System.

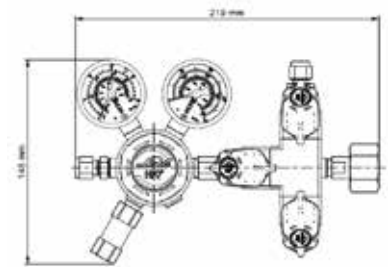
C 200/2



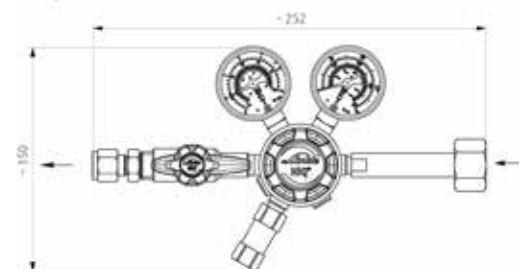
C200/2 TP



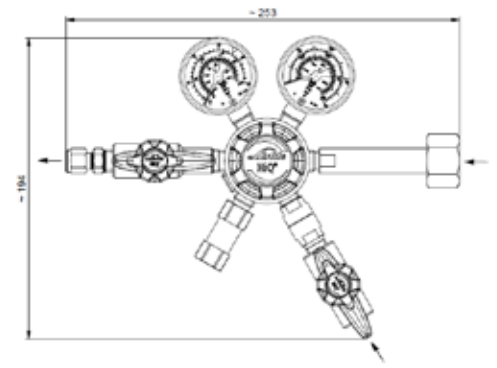
C 200/2 EP



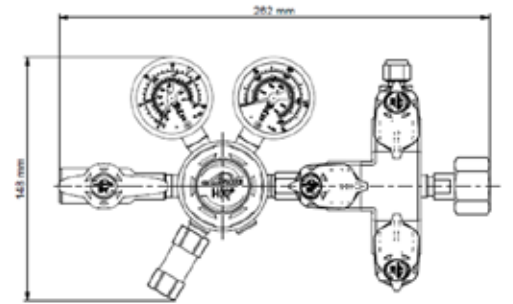
C 200/2 A



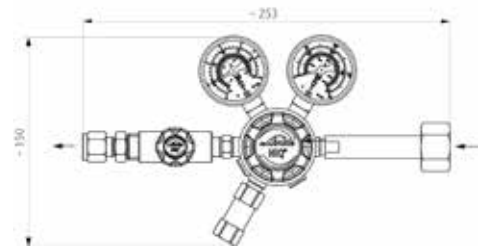
C 200/2 A TP



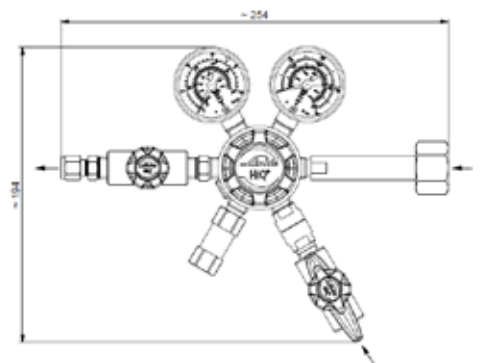
C200/2 A EP



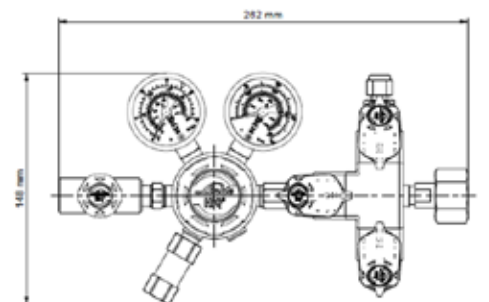
C 200/2 B



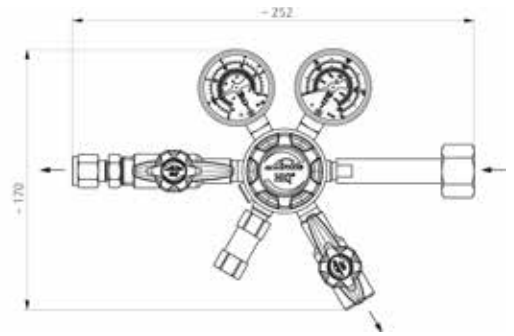
C 200/2 B TP



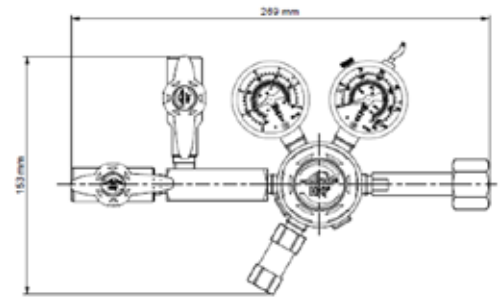
C 200/2 B EP



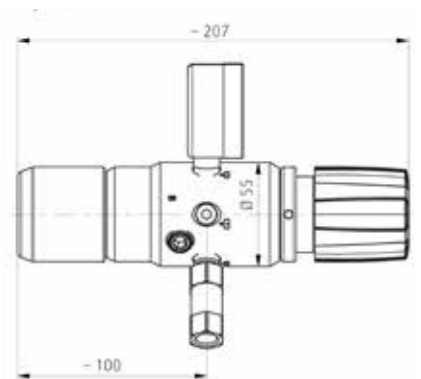
C 200/2 P



C200/2 DP

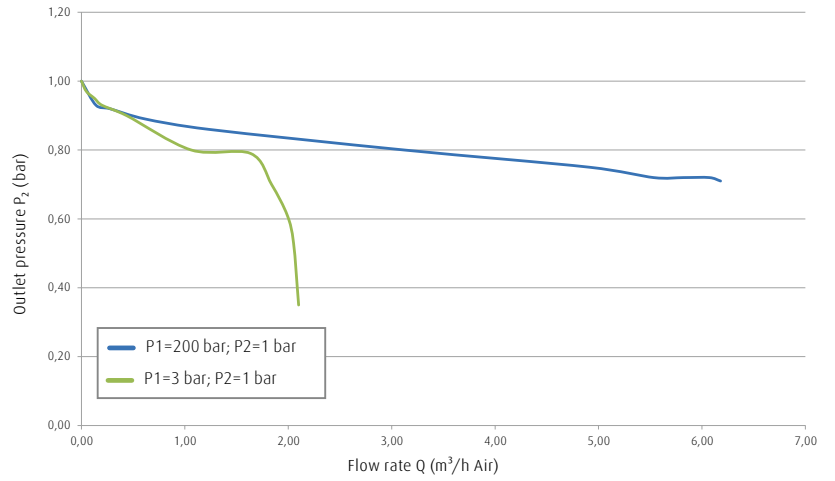


C200/2 Side view

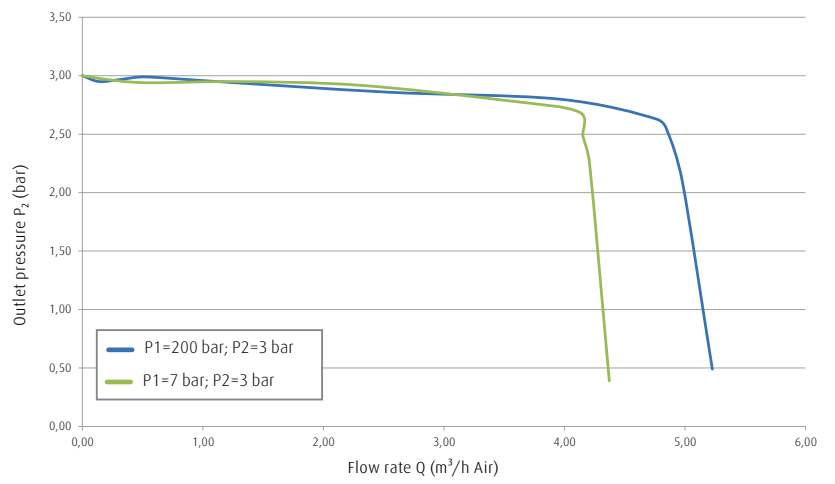


All dimensions in millimeters

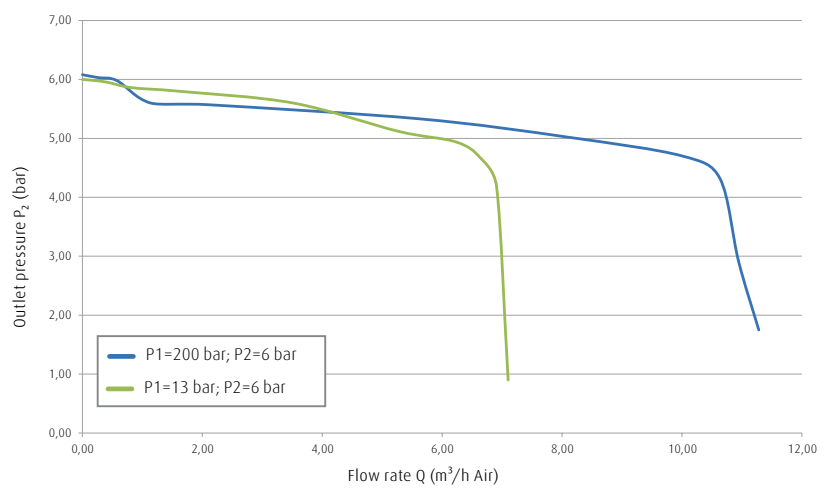
C 200/2 – 1 bar



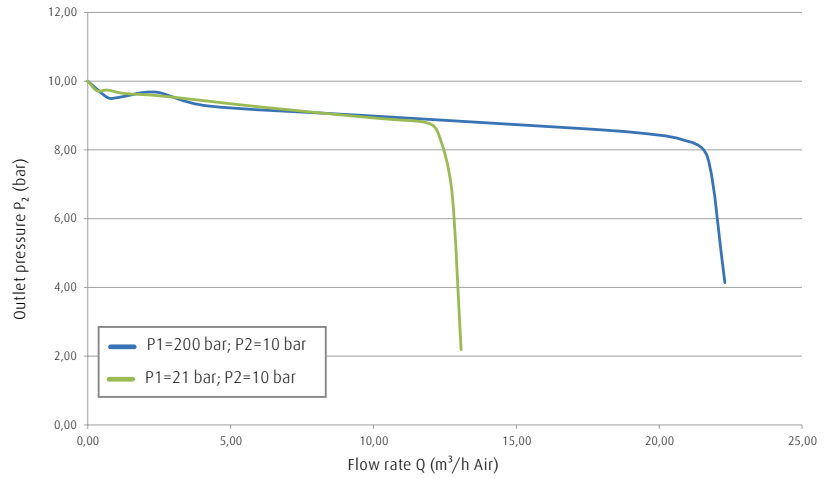
C 200/2 – 3 bar



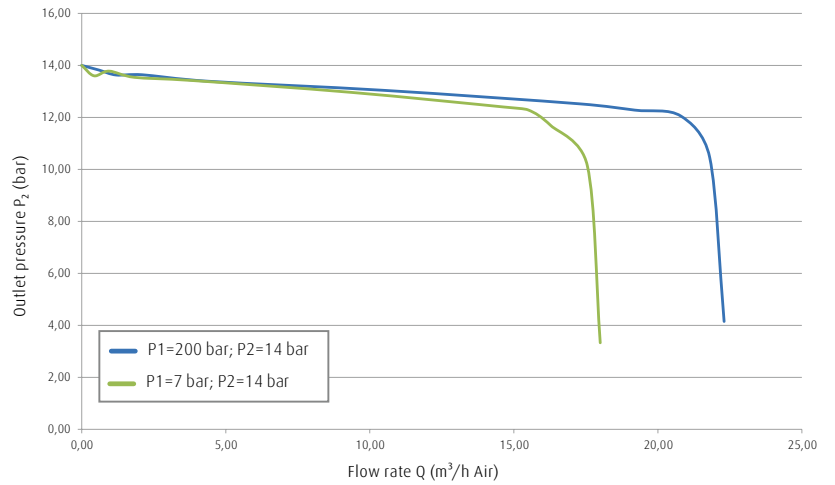
C 200/2 – 6 bar



C 200/2 – 10 bar



C 200/2 – 14 bar



Linde GmbH
 Dr.-Carl-von-Linde-Strasse 6-14, 82049 Pullach, Germany
 Phone +49 89 7446-0, Fax +49 89 7446-1230, <http://hiq.linde-gas.com>